


iWOW + Keyboard

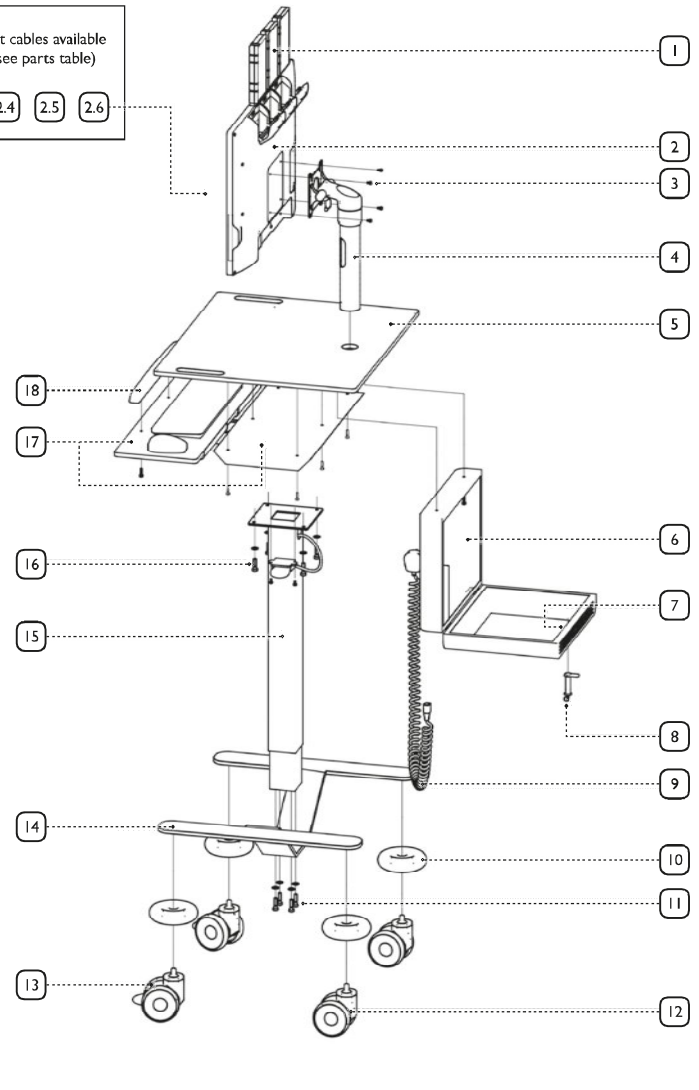
Technical Specifications

Parts List

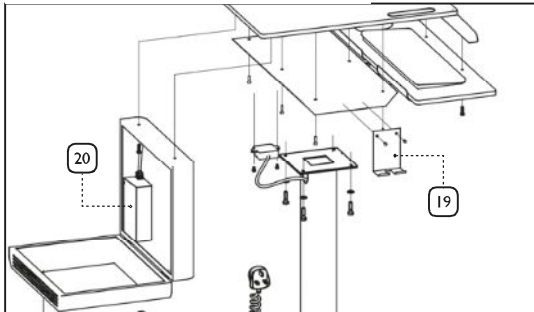
Item	Part No.	Description
1	MT202	Battery Individual Battery Pack
2	FMT700-24T	Medical Grade Powered Monitor
2.1	FMT-HDMI-1M	White HDMI cable
2.2	FMT-USB-H	USB HUB Cable cable
2.3	FM-T-USB-T	TOUCH Control USB cable
2.4	FMT-19V-DC-NP	19V DC OUT cable-DELL-NON PSID
2.5	FMT-WIFI-SMA	WIFI MAIN cable
2.6	FMT-WIFI-SMA	WIFI AUX cable
3	MP20M040X01ZZ	Monitor mount VESA screw set (x4)
4	KSA-M-S-1A	iWOW Monitor Mount & Aluminium Riser with fixing kit
5	WT-600X510MMTYPE2	iWOW/Trespa® worksurface (including fixings)
6	FW700 IT-POD	Rear Secure IT-POD Specify colour at time of order
7	YDMA010B05	USB fan for Rear IT-POD
8	22EDKA250	Cam lock & key-Suited 250 Series-includes 2 keys
9	Q1360	Coiled power cable and plug-UK OR AUS
10	FW9085	Castor bumper in Grey with Rotation (x1)
11	SC1XM060X04DZ	Base to post fixings (x4) Set for gas lift system
12	FW9079	Non-brake castor-100mm twin including fixings
13	FW9079B	Foot brake castor-100mm twin including fixings
14	IWOW-POST-PN	iWOW "H" Base 10mm-Specify colour at time of order
15	K24507A	Gas lift post and lever set-250NM
16	SBIV050016Z	Post to under tray fixings (x4) supplied with washer
17	FW700-KB-TR-AY	Adjustable Keyboard Tray/Worksurface under tray
18	FW700-97-533	Wrist support and fixings-Replacement part with fixings
19	FW700-9	Plug hook and fixings-Specify colour at time of order
20	FW700-7	DC PSU Medical Grade EDAC 120W

 Replacement cables available separately (see parts table)

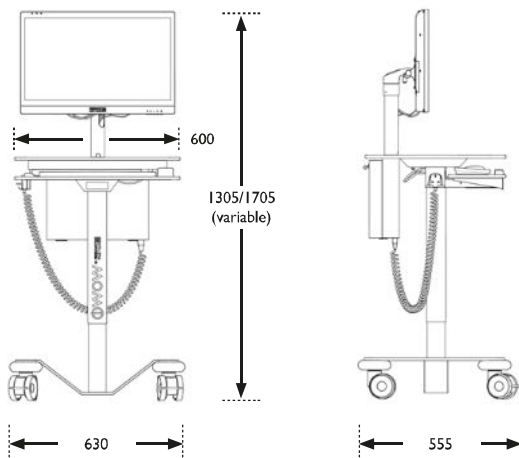
2.1 2.2 2.3 2.4 2.5 2.6



The opposite side of the cart:



Overall Dimensions (mm)



Min/Max worktop height from floor (mm)

