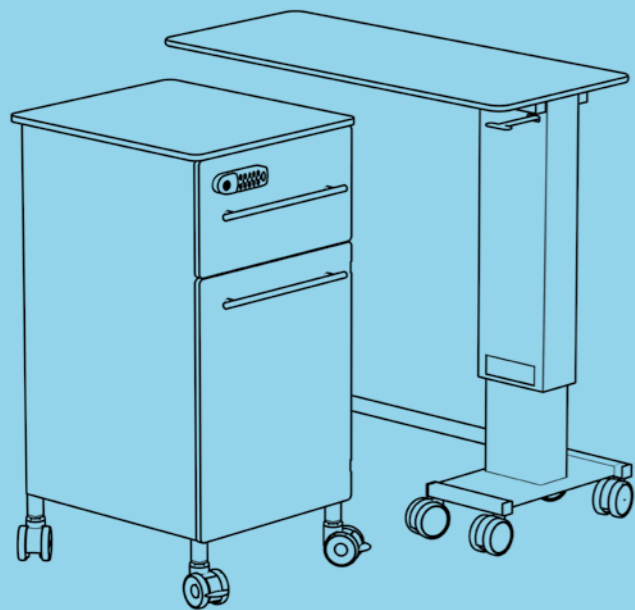


THE BEDSIDE RANGE

THE BEDSIDE RANGE



*Models shown: FV1/160/Trespa®/FV1/300/Overbed Table.



The Freeway Bedside Range. For the provider *and* the patient.

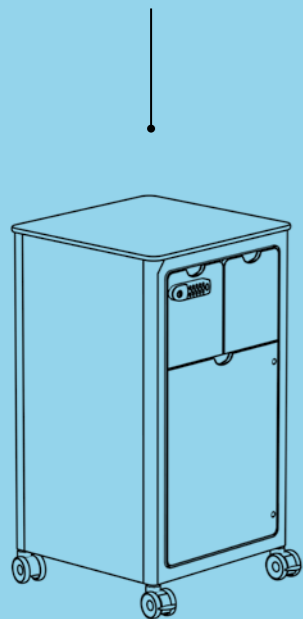
The Freeway Bedside Range features an array of lockers to suit both hospital budget and patient functionality.

Worksurfaces, doors and drawer-fronts are all made from Trespa® which offers great durability. Panels can easily be replaced if accidental damage occurs.

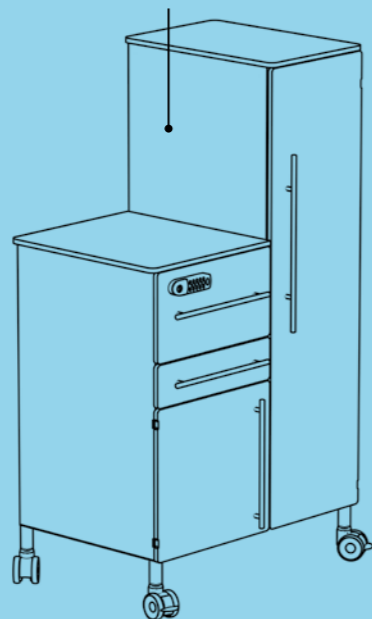
As always with Freeway products, the choice of 8 paint colours comes as standard!

[Explore our Bedside range >](#)

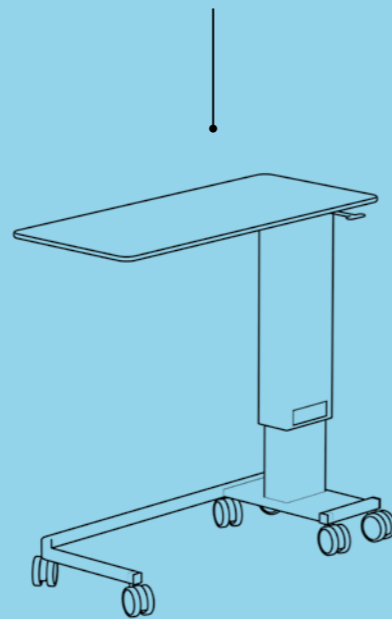
BEDSIDE LOCKER
LOW LEVEL



BEDSIDE LOCKER
HIGH LEVEL



BEDSIDE TABLE
OVERBED

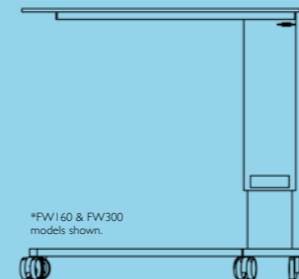


What is included on the base models?

The bedside range is a comprehensive collection of durable and maintainable units. Included on your base model is your choice of model (low level, high level or overbed) and your choice of colour from 8 bright and bold varieties.

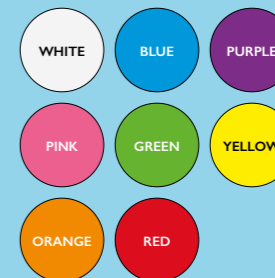
Amongst the Bedside Locker offering, several products have choices of 2 different cladding materials, 18mm MFC Laminate and ultra-durable 10mm Trespa®. Take your pick for what suits you best.

I. CHOOSE YOUR MODEL TYPE
(low/high level or overbed)



*FW160 & FW300 models shown.

2. CHOOSE YOUR COLOUR
(8 options available)



* Models shown: FW465, FW180A & FW300.

WHY BUY FREEWAY? BECAUSE ALL

THESE FEATURES ARE STANDARD!



Custom Colour Choice

Every Bedside Locker in the range can be painted in one of 8 colours available, brightening the ward and making it like home for your patients.



Modular Construction

Cleverly designed and built, the panel-clad lockers can be dismantled and rebuilt without the need for tools or an engineer!



Ultra Heavy-Duty Castors

Featuring a triple ball-race bearing set, our castors and rubberised tyres are built to last and ensure effortless manoeuvring of a full Bedside Locker.



Keyless Digital Lock

Our Bedside Lockers feature at least one secure compartment which uses a keyless digital locking system for patients to store their more valuable belongings.



Vast Bedside Range Choice

With a vast range of ready-to-use bedside products to choose from, we've got you covered. Just pick the model that fulfils your needs and a paint colour to complement your ward and let us, at Freeway Medical, do the rest.

BEDSIDE LOCKERS - 160 MODEL / TRESPA® CLAD

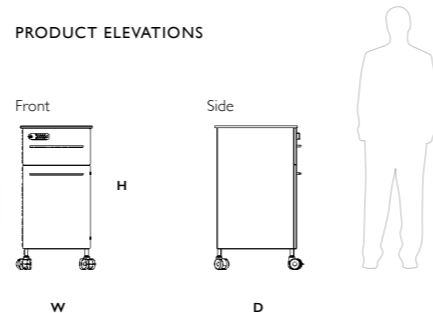


PRODUCT CODE
FWI160-TRESPA Bedside Locker

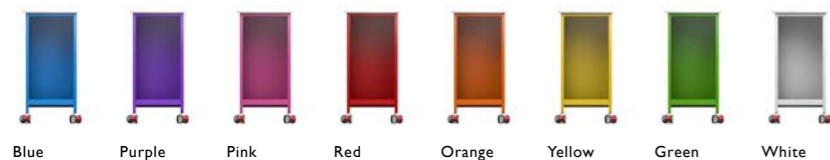
Trespa® cladding on this single drawer and single compartment bedside locker guarantees durability and robustness to withstand ward wear and tear. Also featuring the easy-clean removable drawer tray.

DIMENSIONS
Height = 920mm Width = 500mm Depth = 480mm

PRODUCT ELEVATIONS



FRAME/SURROUND COLOURS *(included in price)*



BEDSIDE LOCKERS - 175 MODEL / TRESPA® CLAD

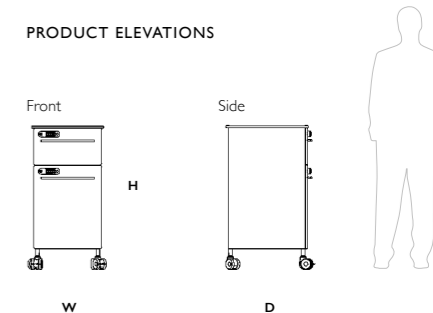


PRODUCT CODE
FWI175-TRESPA Bedside Locker

Heavy-duty castors, included on all our bedside range, allow for effortless manoeuvring of these bedside lockers to rearrange or move in emergencies with ease. Includes all the features of the locker opposite, but with the durable Trespa® cladding and surfaces.

DIMENSIONS
Height = 920mm Width = 500mm Depth = 480mm

PRODUCT ELEVATIONS



ULTRA DURABLE TRESPA® SURFACES



KEYLESS DIGITAL LOCK *(included in price)*

Keyless everyday operation with master key for maintenance or forgotten codes.



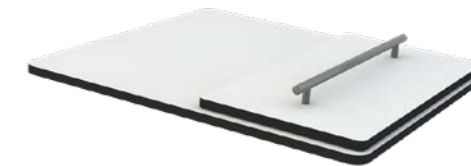
(p.18)

MODULAR CONSTRUCTION



All key components can be easily cleaned, removed and replaced tool-free!

ULTRA DURABLE TRESPA® SURFACES



Cleaning is easy with our drawer/tray bedside storage!

Our clear removable trays used in the Bedside Range, not only make finding belonging's easier for the patient, but they also help ensure cleaning is a swift and simple process!



The trays slot down into the drawer frames and 'hang' in position.

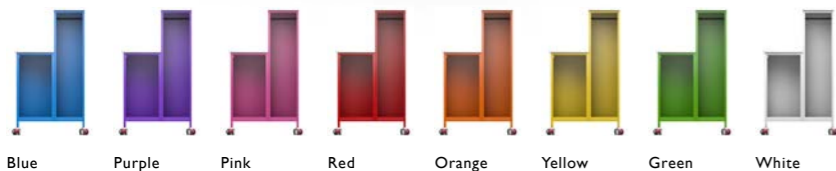


LOOSE PATIENT BELONGINGS KEPT SAFE AND OUT OF THE WAY

An easy to remove tray concealed within a drawer behind a lockable door which is ideal for storage of all those smaller personal items.



FRAME/SURROUND COLOURS (included in price)

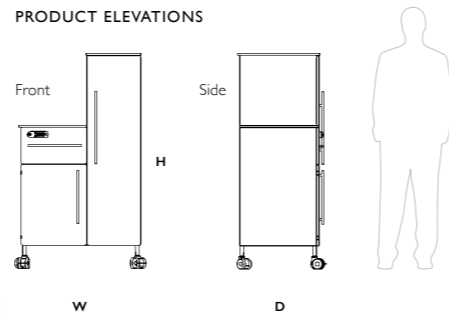


PRODUCT CODE
FW180A-TRESPA Bedside Locker Wardrobe

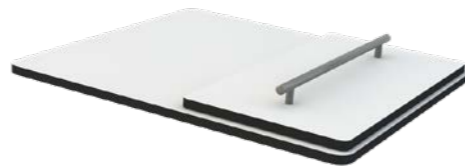
180A Trespas® Bedside Locker has vast amounts of storage space, with compartments ideal as a wardrobe, for shoes, for personal belongings and more.

DIMENSIONS
Height = 1455mm Width = 1000mm Depth = 480mm

PRODUCT ELEVATIONS



ULTRA DURABLE TRESPA® SURFACES

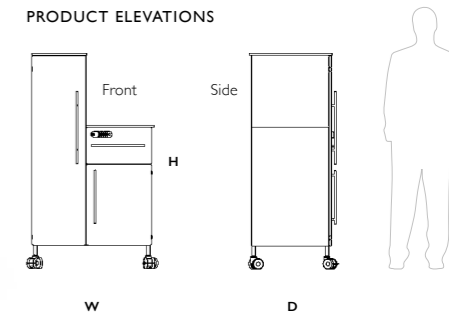


PRODUCT CODE
FW180B-TRESPA Bedside Locker Wardrobe

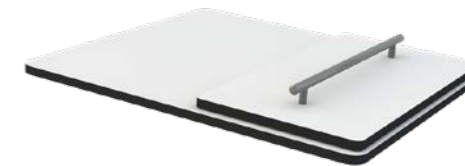
The ultra durable Trespas® cladding offers the ultimate longevity of a unit even on larger Bedside Lockers such as the Trespas® 180 series.

DIMENSIONS
Height = 1455mm Width = 1000mm Depth = 480mm

PRODUCT ELEVATIONS



ULTRA DURABLE TRESPA® SURFACES



KEYLESS DIGITAL LOCK (included in price)

Keyless everyday operation with master key for maintenance or forgotten codes.



(p.18)

MODULAR CONSTRUCTION



All key components can be easily cleaned, removed and replaced tool-free!

BEDSIDE OVERBED TABLE - STEEL CHASSIS - TRESPA® WORKTOP



INTEGRAL FOOTSPACE

Compared with straight-leg overbed tables, our unit features a single wraparound support leg to enable the table to be easily used with chairs as well as beds.

PRODUCT CODE

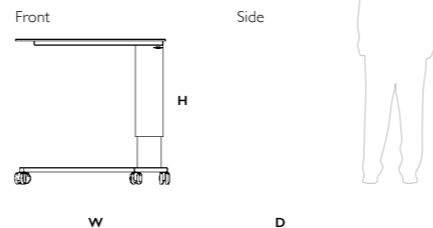
FW300 Bedside Overbed Table (white only)

The Bedside Overbed Table has been carefully designed to maximise product-life with durable TRESPA® worktops, whilst considering comfort and practicality for the patient, with a height adjustable column.

DIMENSIONS

Height = 720-1100mm Width = 920mm Depth = 420mm

PRODUCT ELEVATIONS



ULTRA DURABLE TRESPA® WORKTOP



(p.13)

BEDSIDE OVERBED TABLE - OPTIONAL COLOURED BUMPER



OPTIONAL BUMPER COLOURS (available separately)



Blue Purple Pink Orange Yellow Green

PRODUCT CODE

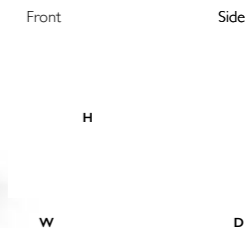
FW301 Bedside Overbed Table Bump Cover (6 colour options)

Add a splash of colour from 6 choices to liven up the ward as well as some extra product protection with an optional coloured bumper.

DIMENSIONS

Height = 600mm Width = 102mm Depth = 170mm

PRODUCT ELEVATIONS



ADJUSTABLE HEIGHT RANGE OF 380MM



Freeway Medical

Unit 15-16,
Colthrop Business Park,
Colthrop Lane, Thatcham,
Berkshire, RG19 4NB.

Tel: 01635 866 717

Fax: 01635 866 347

Web: freewaymedical.co.uk

Email: sales@freewaymedical.co.uk